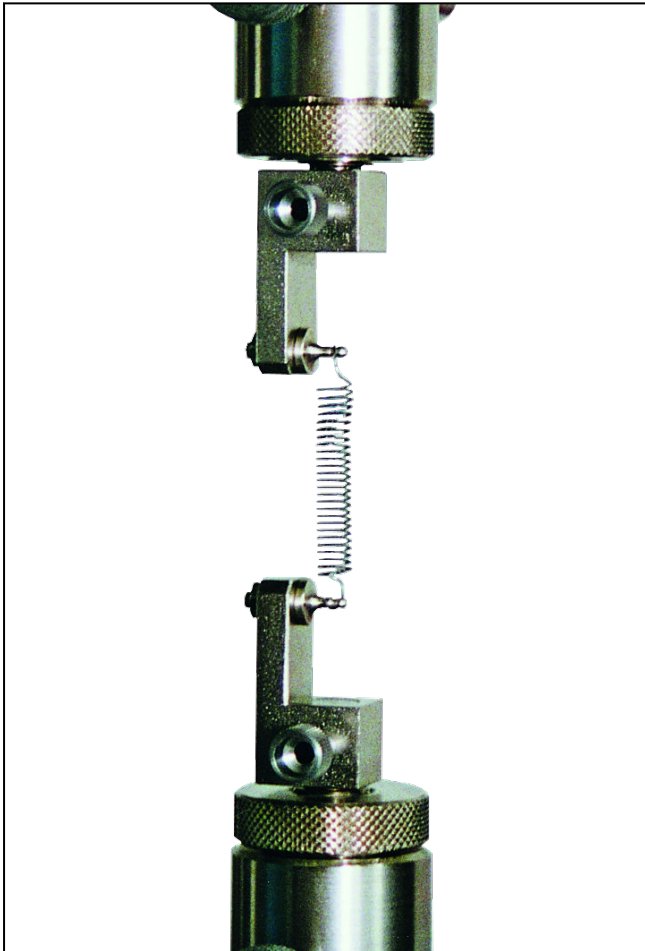


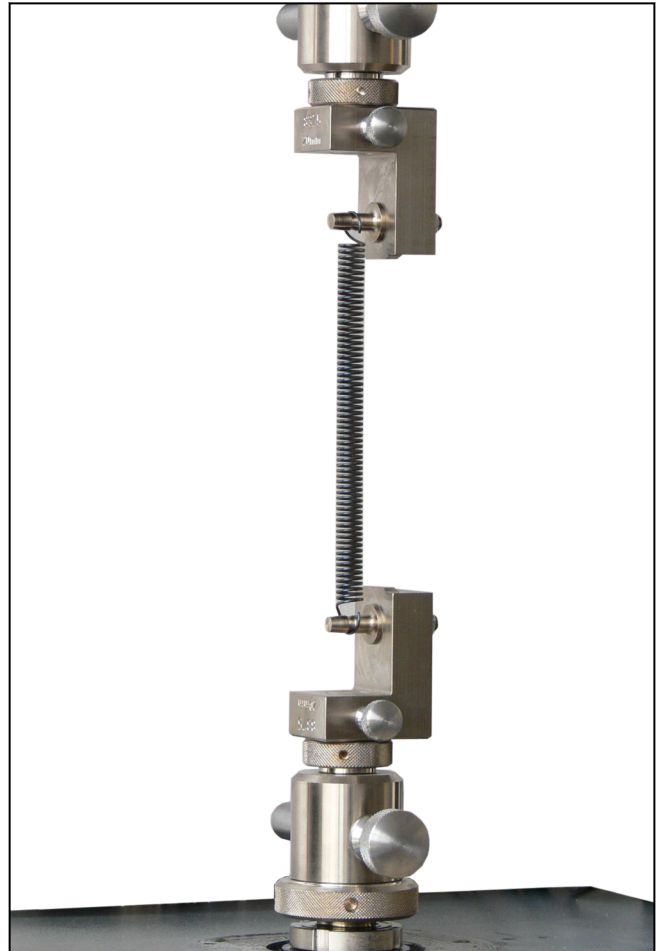
Product Information

Specimen grips for tension springs type 8175, Fmax 50 N and type 8375, Fmax 10 kN

CTA: 40582 40584



Specimen grips type 8175 for tension springs, Fmax 50 N



Type 8375 grips for tension springs, Fmax 10 kN

Applications

- **Specimen material:**

Steel

- **Specimen shape:**

Tension springs

- **Type of loading:**

Tensile

Function description

The grips can be used for tensile tests on tension springs.

Force transmission is via horizontal hanger bolts. These are available in various diameters.

Advantages and features

- Easy attachment of the specimen to the suspension bolts, which are freely accessible from the front
- Suitable for temperature environments of -70 to +250 C°

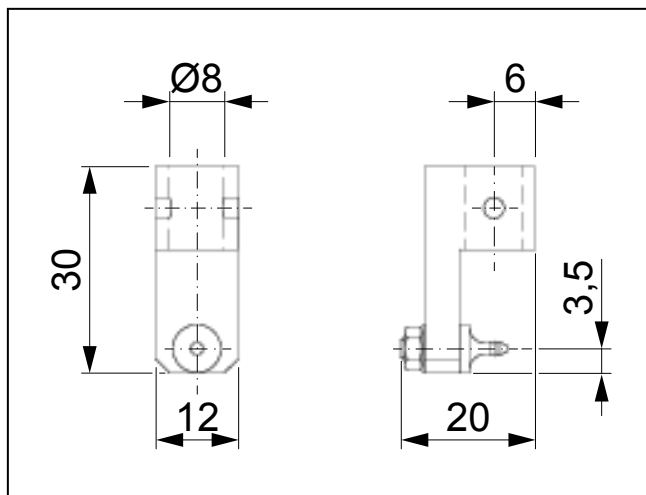
Product Information

Specimen grips for tension springs type 8175, F_{max} 50 N and type 8375, F_{max} 10 kN

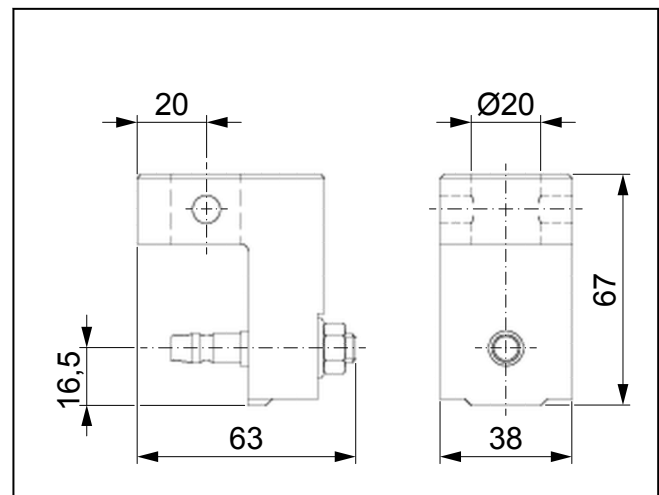
Technical data

Item No.	316247	313548	
Type	8175	8375	
Test load F _{max}	0.05	10	kN
Dimensions			
Height	30	67	mm
Width	12	38	mm
Depth	20	63	mm
Connection, stud	Ø 8	Ø 20	mm
Ambient temperature	-70 ... +250	-70 ... +250	°C
Weight per specimen grip, approx.	20	280	g
Scope of delivery	2	2	pieces

CTA: 40583 40585



Specimen grips type 8175 for tension springs, F_{max} 50 N with suspension bolts, overview



Type 8375 grips for tension springs, F_{max} 10 kN, with hanger bolts, Ø 7 mm: general view

Accessories required

Suspension bolts for type 8175 (1x required)

Description	ArticleNumber
Suspension bolts with Ø 1.5 mm, for spring wire-Ø, max. 1 mm, scope of delivery 2 pieces	316249

Suspension bolts for type 8375 (1x required)

Scope of delivery: 2 pieces

Description	ArticleNumber
Suspension bolts with Ø 7 mm, for spring wire-Ø, max. 6 mm	313550
Suspension bolts with Ø 5 mm, for spring wire-Ø, max. 5 mm, F _{max} 2.5 kN	319014
Suspension bolts with Ø 2.8 mm, for spring wire-Ø, max. 1.4 mm, F _{max} 1 kN	319016